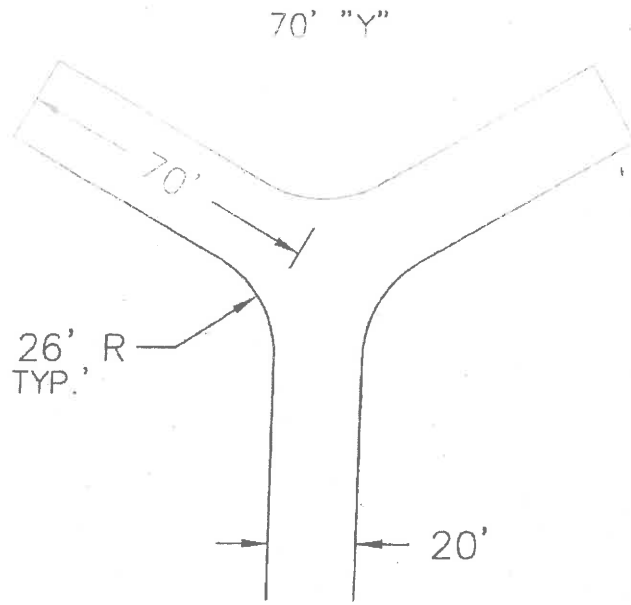




**Alameda County
Fire Department**
Dedicated to Superior Service

www.acgov.org/fire

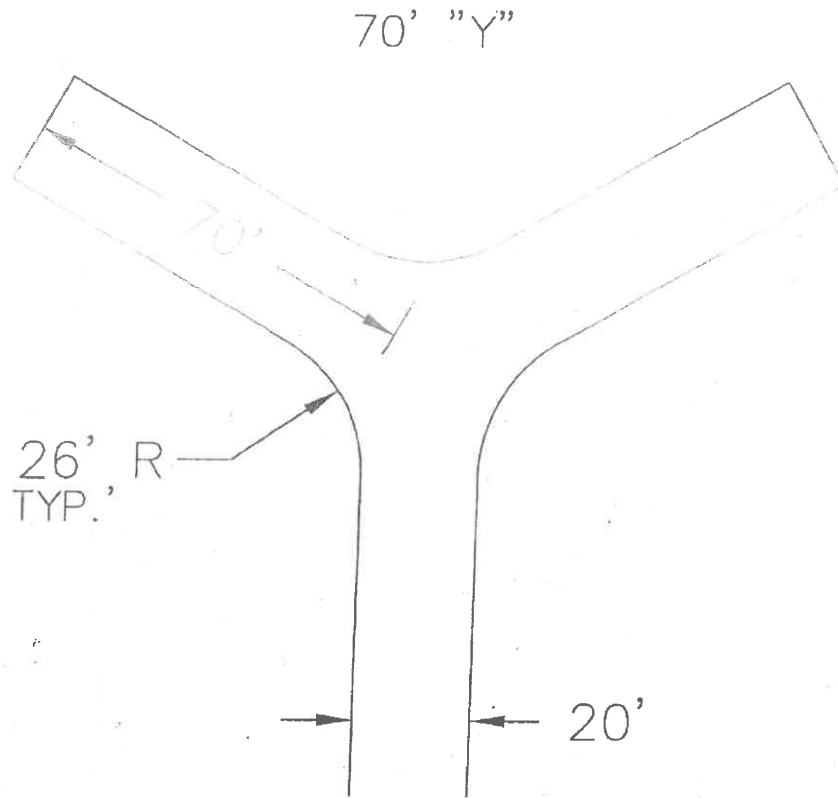


SCALE 1"=40'



**Alameda County
Fire Department**
Dedicated to Superior Service

www.acgov.org/fire



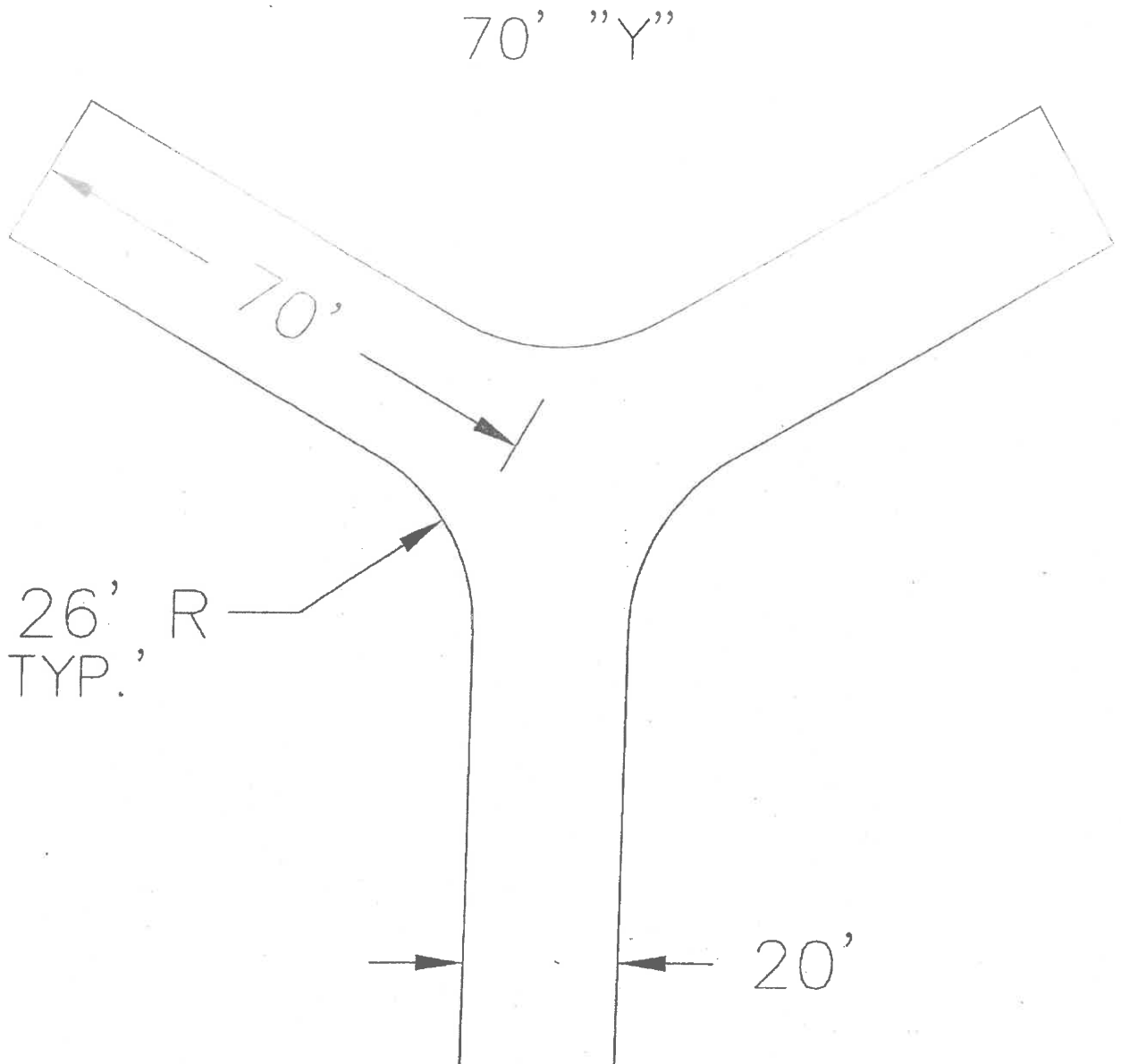
SCALE 1"=30'



**Alameda County
Fire Department**

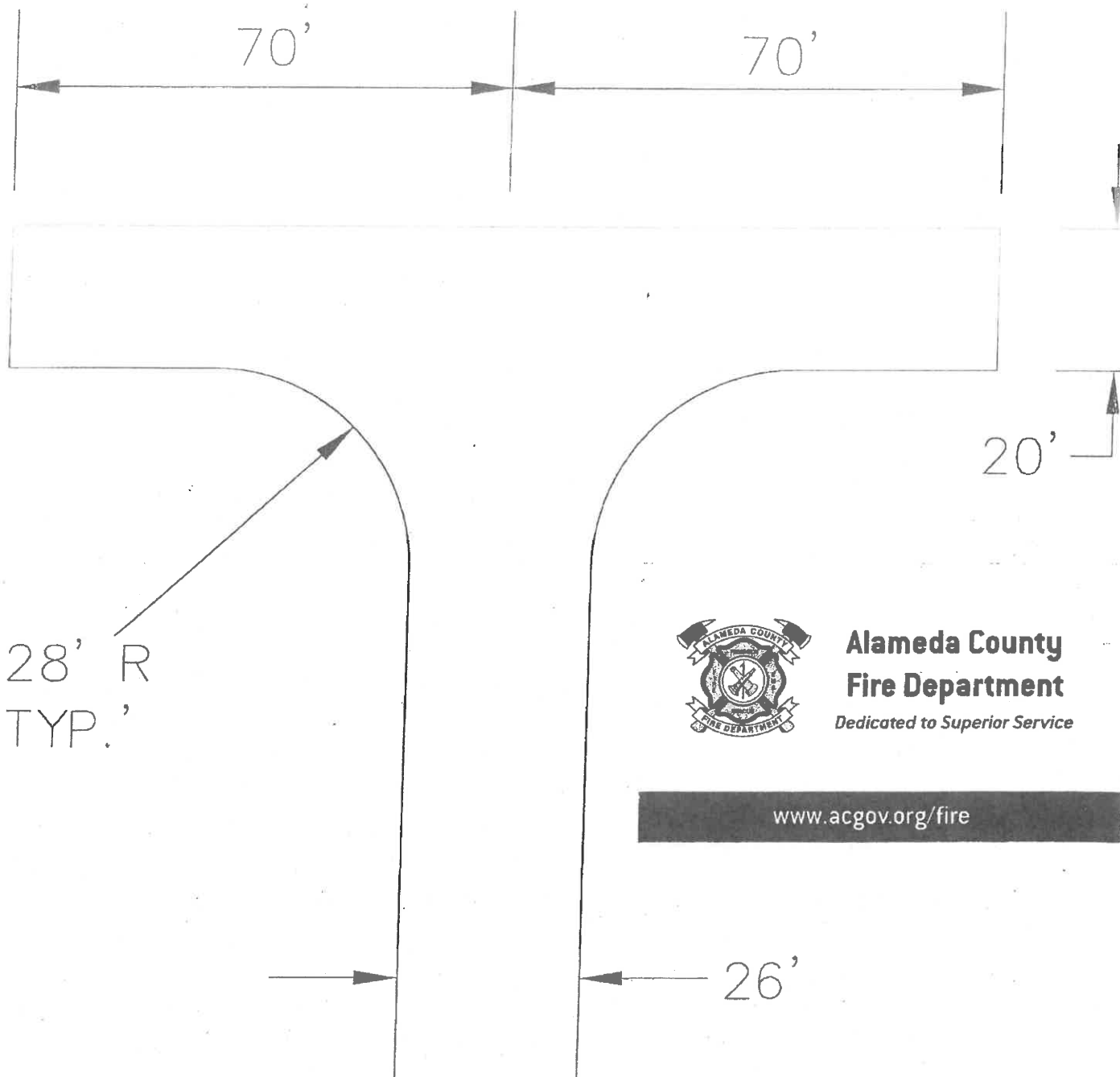
Dedicated to Superior Service

www.acgov.org/fire



SCALE 1" = 20'

140' HAMMERHEAD
SCALE 1"=20'



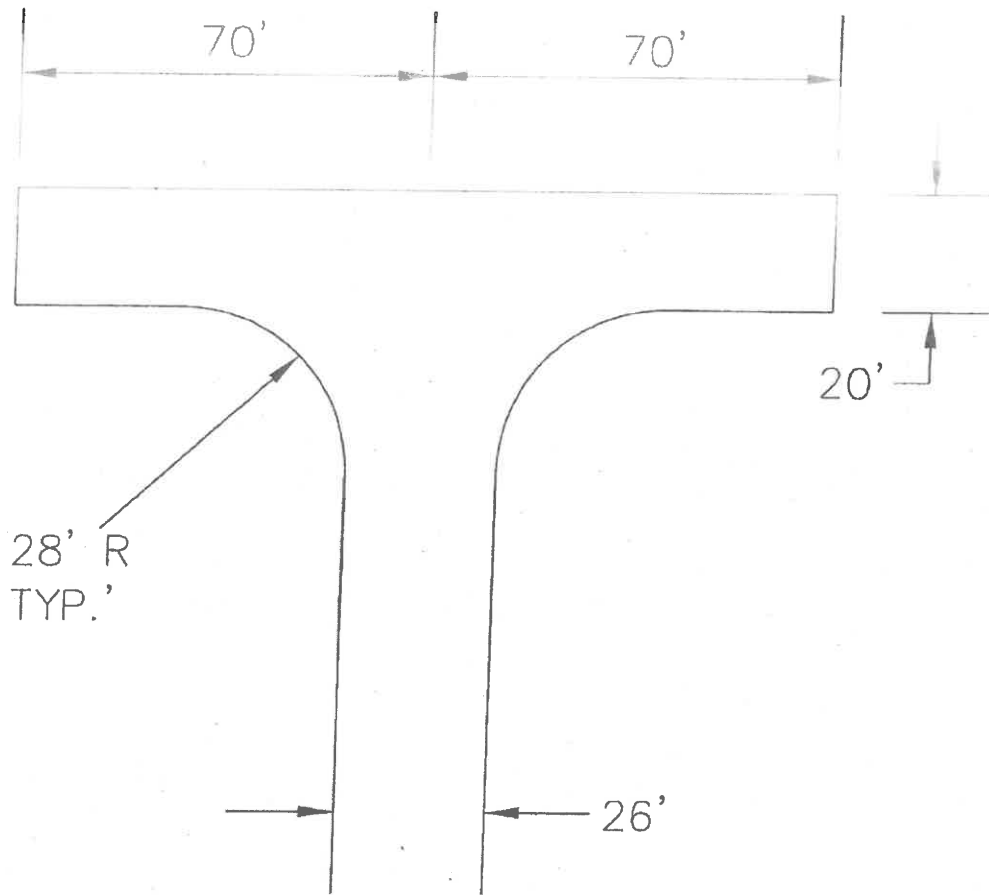


**Alameda County
Fire Department**
Dedicated to Superior Service

www.acgov.org/fire

140' HAMMERHEAD

SCALE 1"=30'





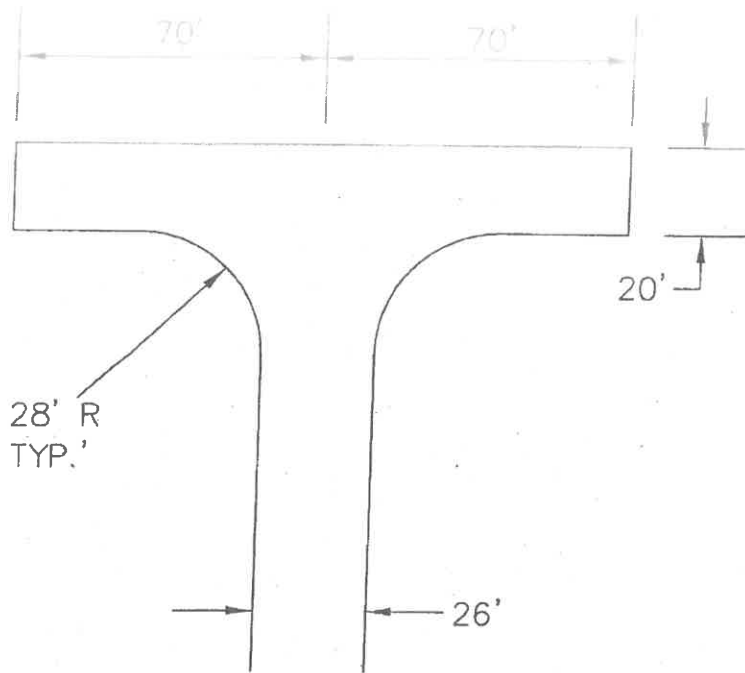
Alameda County Fire Department

Dedicated to Superior Service

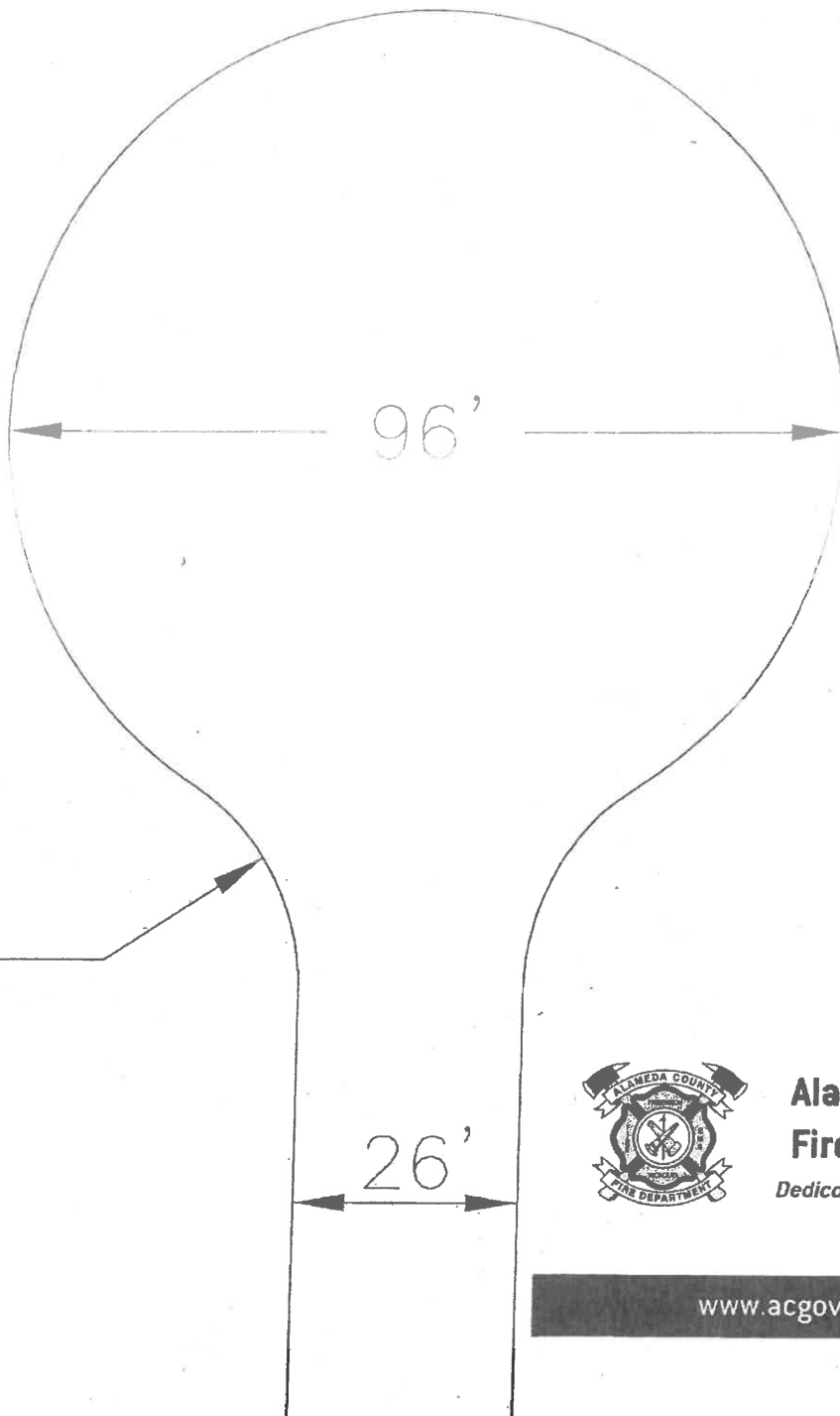
www.acgov.org/fire

140' HAMMERHEAD

SCALE 1" = 40'



96' DIAMETER
CUL-DE-SAC



28' R
TYP.'



**Alameda County
Fire Department**
Dedicated to Superior Service

www.acgov.org/fire

SCALE 1"=20'

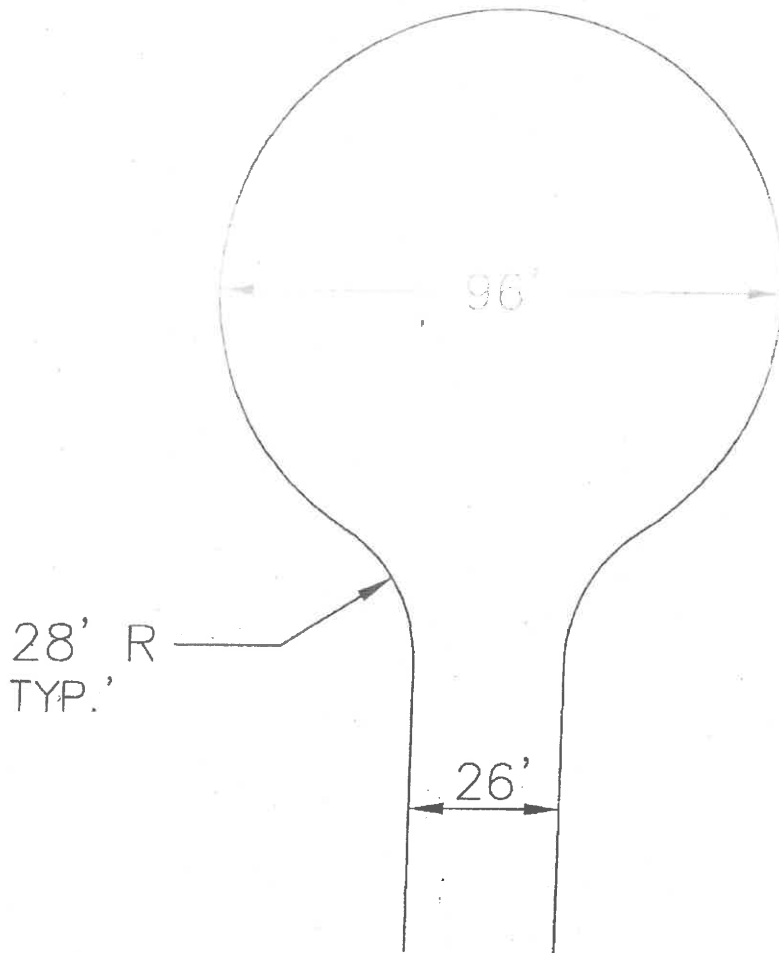


**Alameda County
Fire Department**

Dedicated to Superior Service

www.acgov.org/fire

96' DIAMETER
CUL-DE-SAC



SCALE 1"=30'

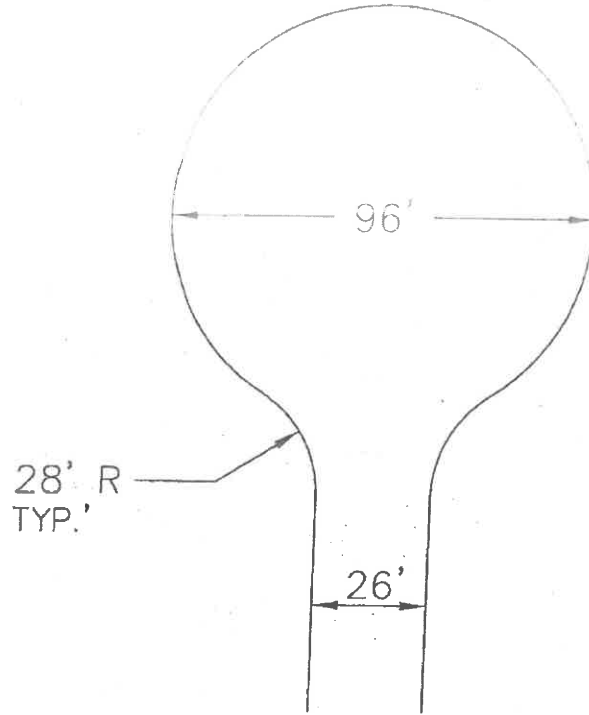


**Alameda County
Fire Department**

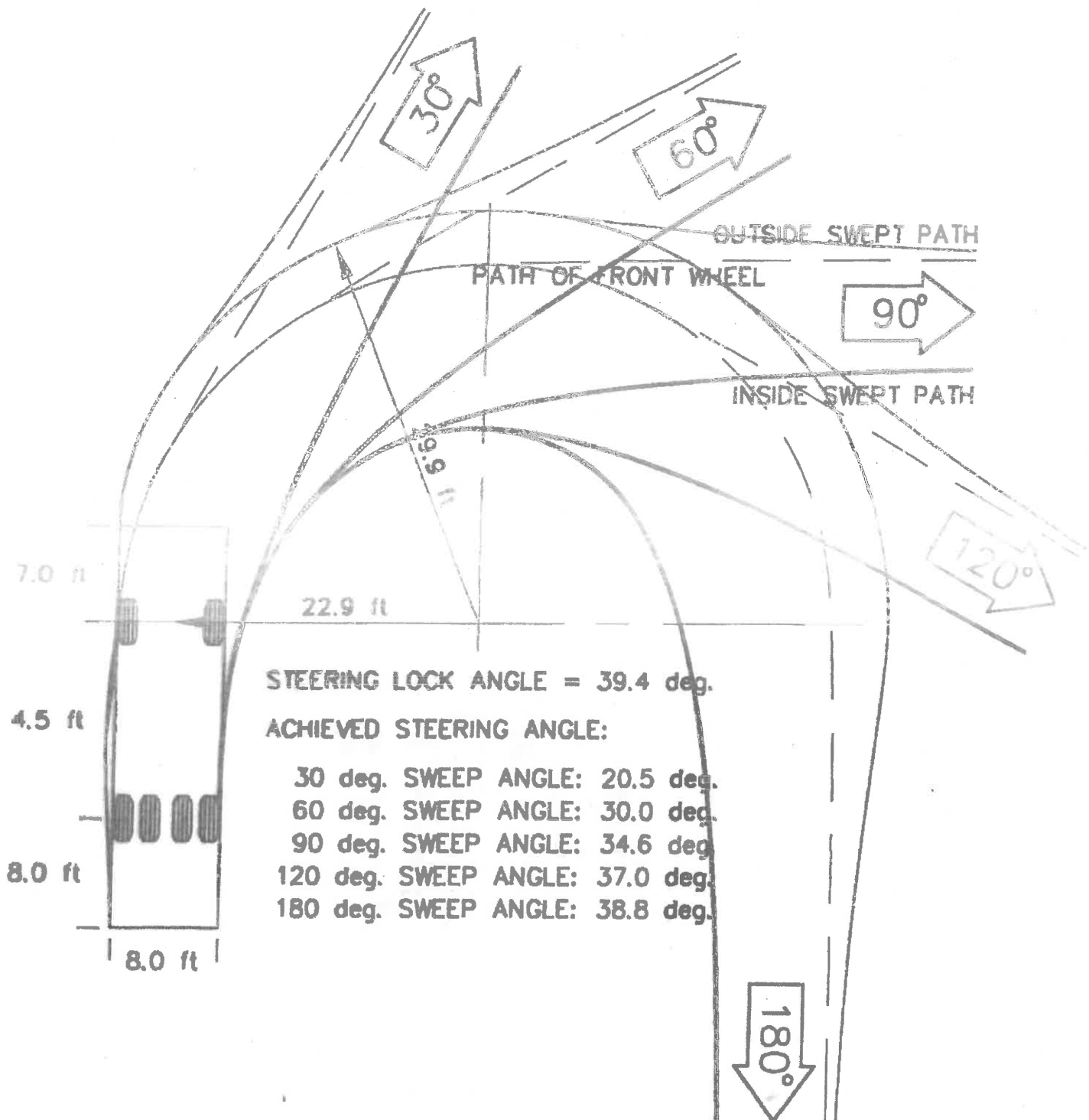
Dedicated to Superior Service

www.acgov.org/fire

96' DIAMETER
CUL-DE-SAC



SCALE 1"=40'



STEERING LOCK ANGLE = 39.4 deg.

ACHIEVED STEERING ANGLE:

30 deg.	SWEEP ANGLE:	20.5 deg.
60 deg.	SWEEP ANGLE:	30.0 deg.
90 deg.	SWEEP ANGLE:	34.6 deg.
120 deg.	SWEEP ANGLE:	37.0 deg.
180 deg.	SWEEP ANGLE:	38.8 deg.

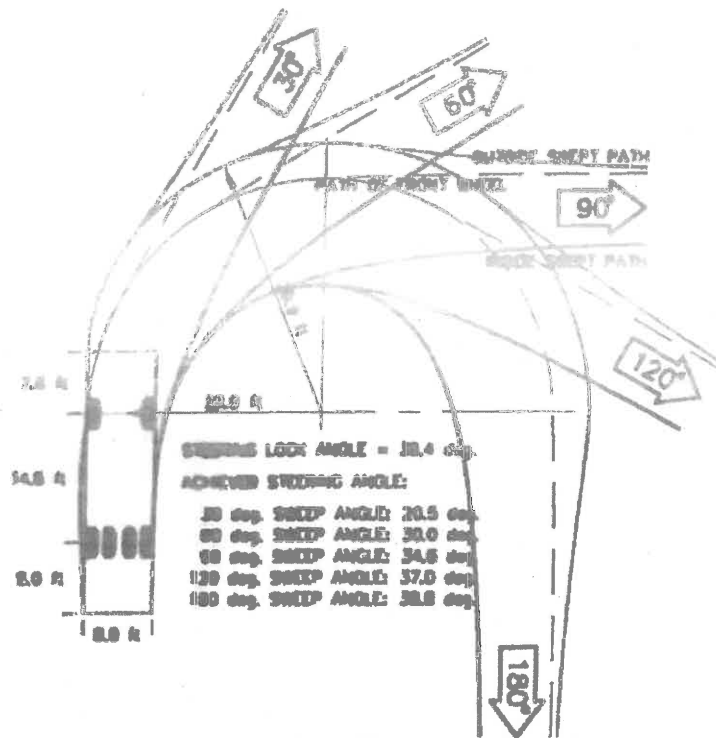
Alameda County Pumper—Dublin Custom

[ft]

(c) 2014 Transoft Solutions, Inc. All rights reserved.

1" = 10'



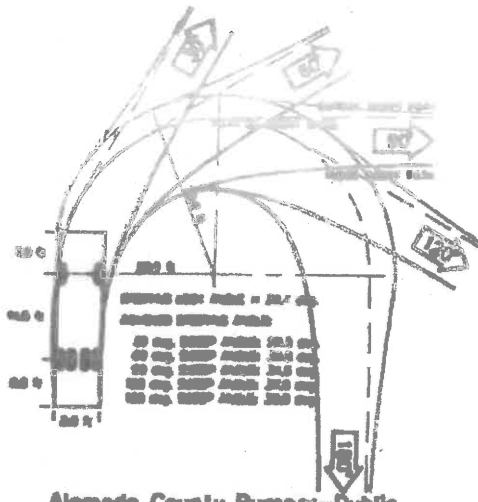


Alameda County Pumper—Dublin
Custom

[ft]
© 2001 Trupair Systems, Inc. All rights reserved.

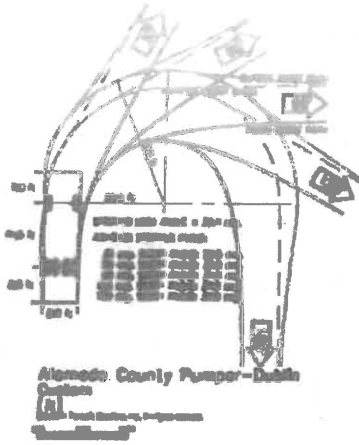


1" = 20'



Alameda County Pumper-Dublin
Custom
 (1)

1" = 30'



1" = 40'

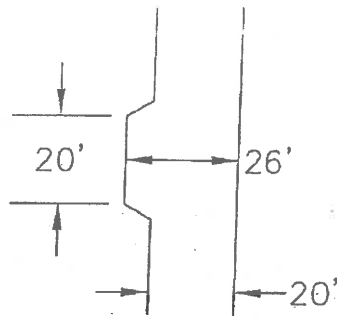


Alameda County Fire Department

Dedicated to Superior Service

www.acgov.org/fire

MINIMUM CLEARANCE AROUND A FIRE, HYDRANT



SCALE 1" = 40'

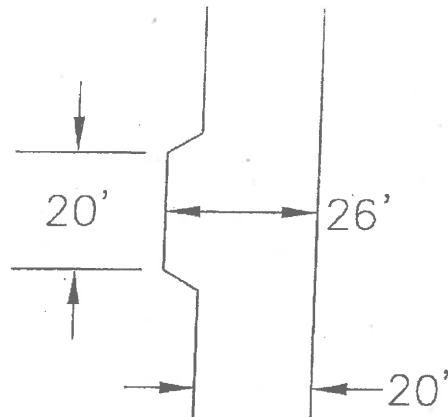


Alameda County Fire Department

Dedicated to Superior Service

www.acgov.org/fire

MINIMUM CLEARANCE AROUND A FIRE HYDRANT



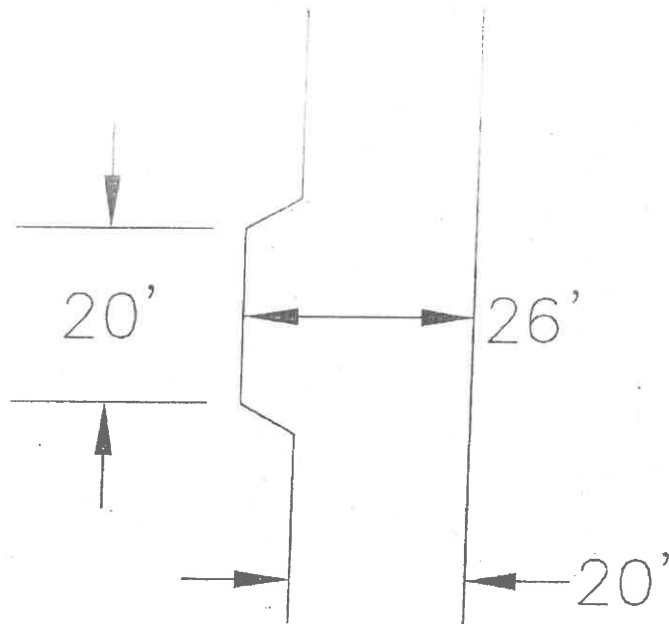
SCALE 1"=30'



**Alameda County
Fire Department**
Dedicated to Superior Service

www.acgov.org/fire

MINIMUM CLEARANCE AROUND A FIRE HYDRANT



SCALE 1" = 20'